

Attachment C



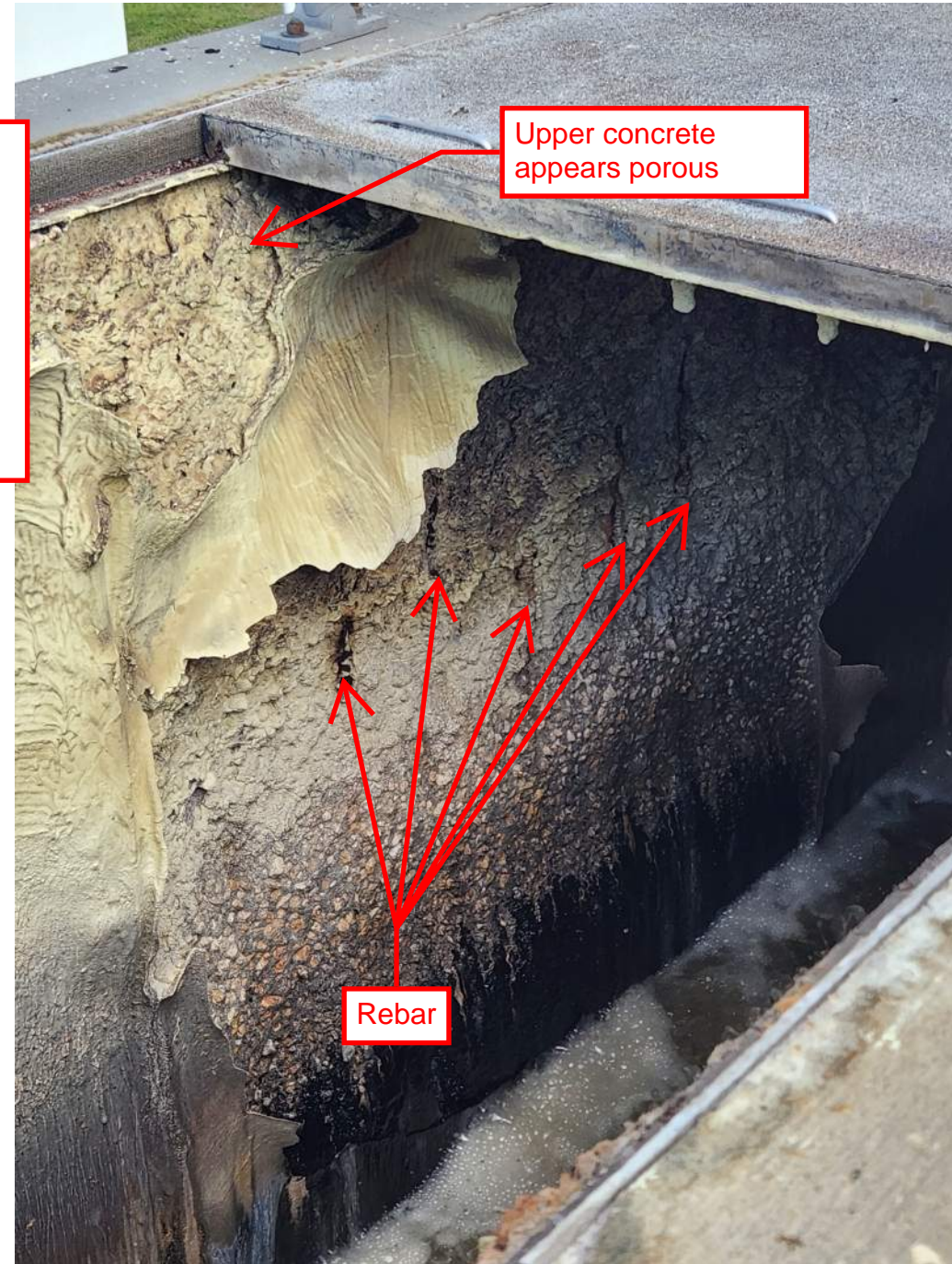
March 2024



December 2024



February 2026



March 2026



May 2026

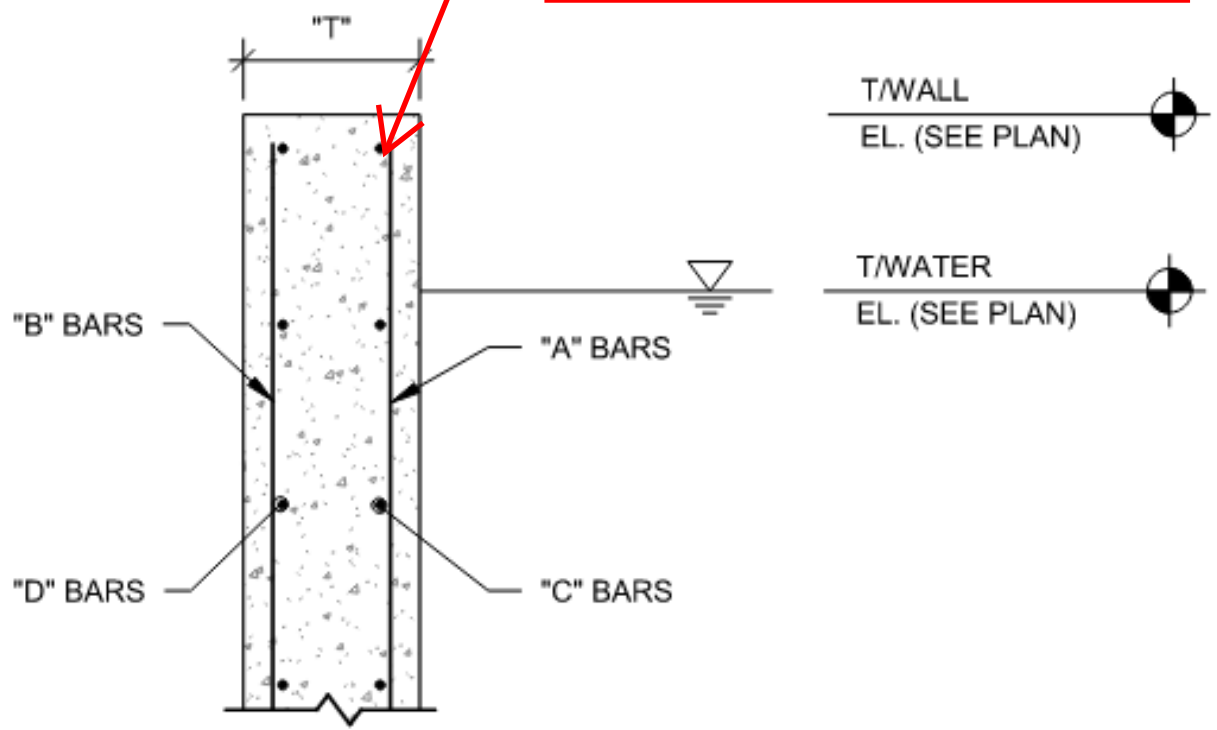


March 2024



May 2026

Scale of the detail suggests there was 2" of separation between the vertical rebar and the outside of the wall. The horizontal rebar is less than 1" beyond that.



CONCRETE WALL SCHEDULE						
TAG	T	"A" BARS	"B" BARS	"C" BARS	"D" BARS	NOTES
12A	12"	#5 @ 8"	#5 @ 8"	#5 @ 8"	#5 @ 8"	
12B	12"	#7 @ 5"	#7 @ 5"	#5 @ 5"	#5 @ 5"	
14A	14"	#7 @ 6"	#7 @ 6"	#6 @ 6"	#6 @ 6"	
16A	16"	#8 @ 6"	#6 @ 7"	#6 @ 5"	#6 @ 7"	

5 TYPICAL CIP CONCRETE WALL SCHEDULE
 3/4" = 1'-0"